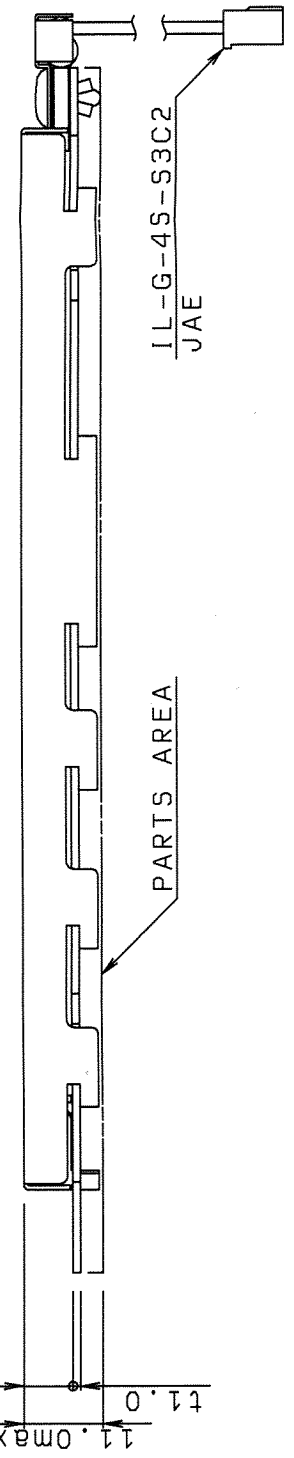
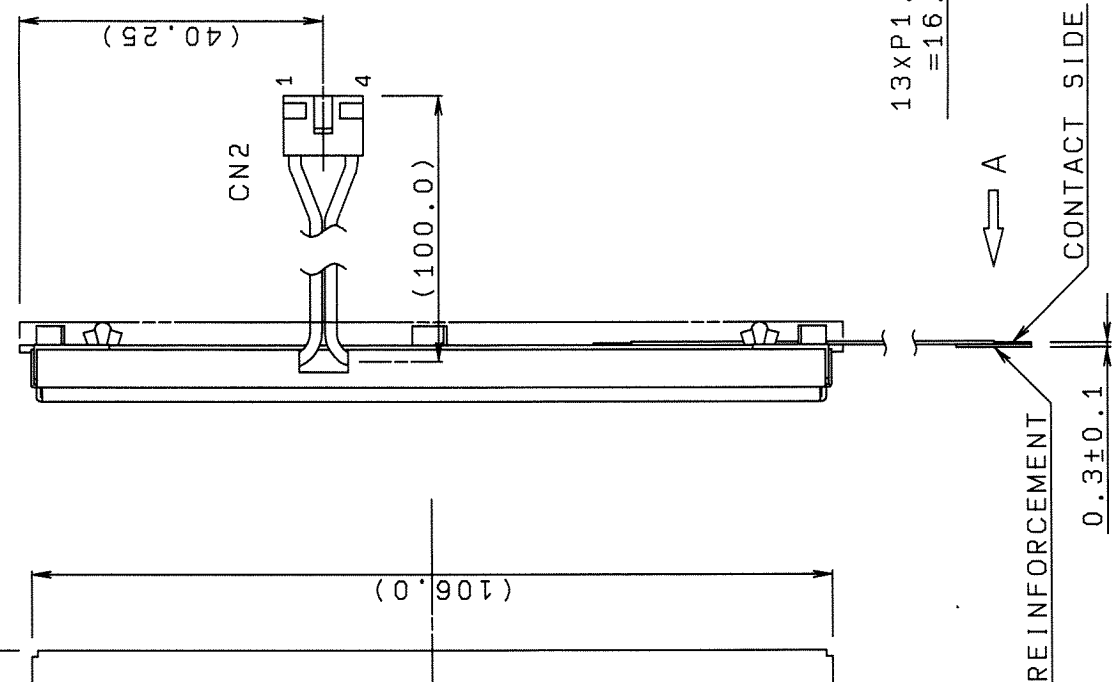
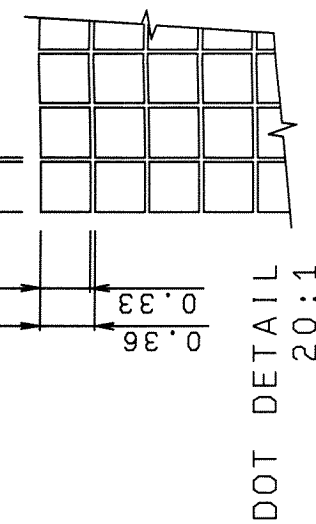
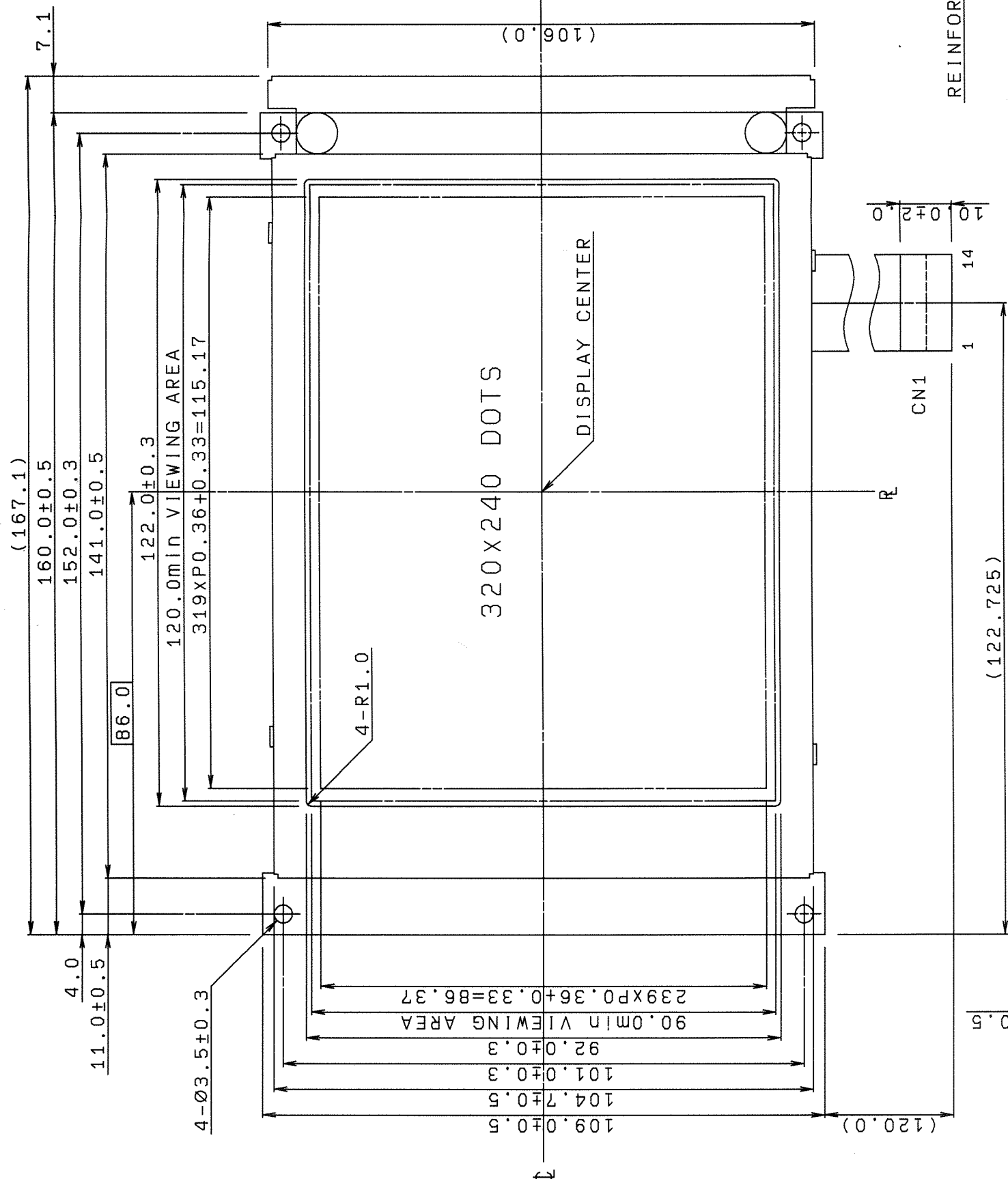
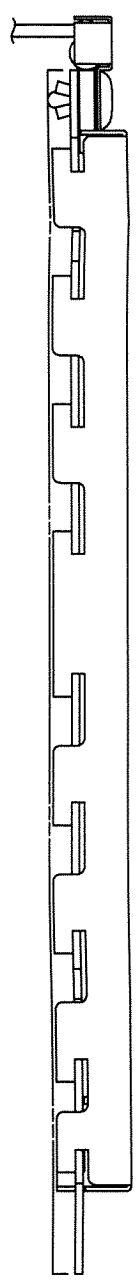


PIN ASSIGNMENT

CN1	
PIN No.	SYMBOL
1	D0
2	D1
3	D2
4	D3
5	DISPOFF
6	FLM
7	N.C.
8	LP
9	CP
10	VCC
11	VSS
12	VEE
13	VADJ
14	FG
CN2	
PIN No.	SYMBOL
1	CFL HOT
2	N.C.
3	N.C.
4	CFL GND



TOLERANCE		3 TO ANGLE		DATE	
MEASURE	A	B	C	PROJECTION	APPROVED
Ls 16	±0.1	±0.3	±1.0	MM	S.KUWABARA
16<Ls 63	±0.2	±0.5	±1.5	SCALE	T.Okamoto
63<Ls 250	±0.3	±0.8	±2.0	1:1	Y.Takada
250<Ls 500	±0.5	±1.2	±3.0		
500<L	±0.8	±2.0	±4.0		
ANGLE	±1°	±5'	±10'		

OPTREX CORPORATION
 TITLE DIMENSIONAL OUTLINE
 CODE DMF-50840 Series
 DRAWING No. UE-36988